

D. KAHNWEILER.
Rocking Chair.

No. 18,696.

Patented Nov. 24, 1857.

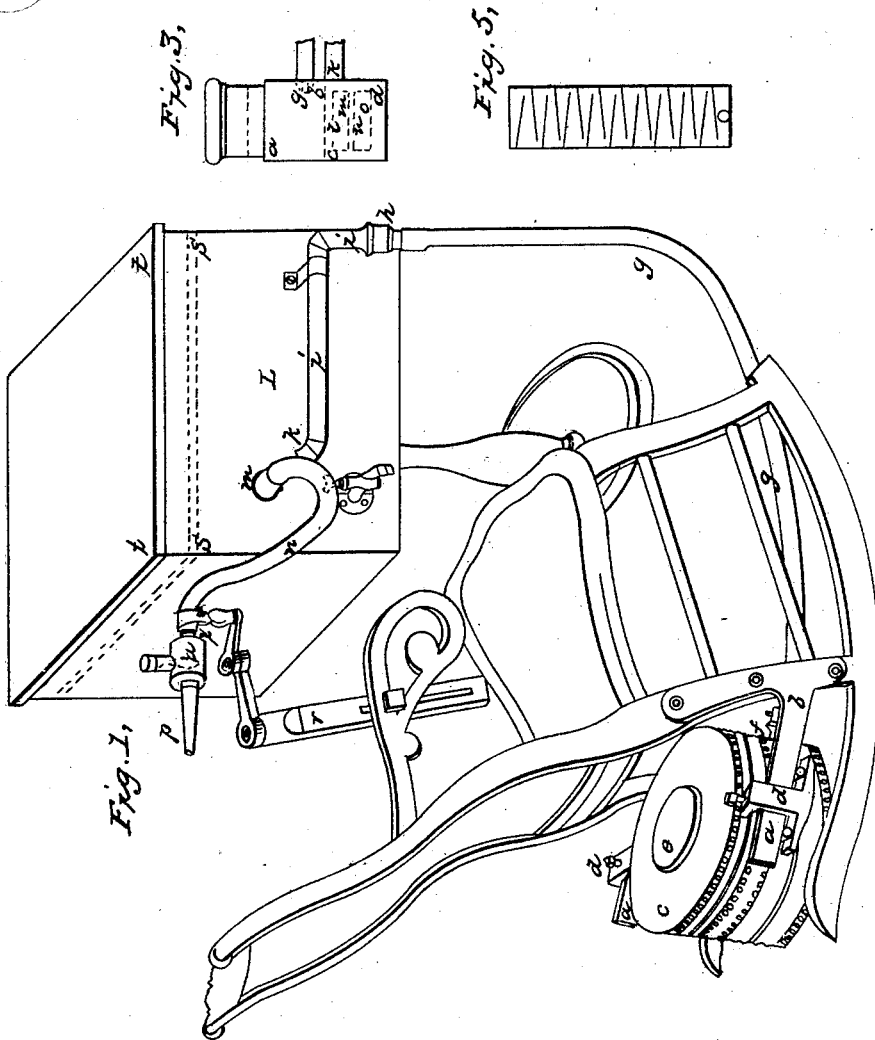


Fig. 1,

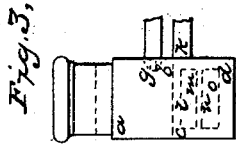


Fig. 3,

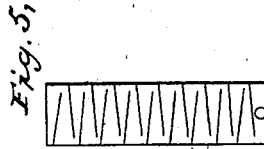


Fig. 5,

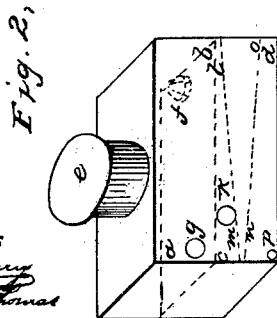


Fig. 2,

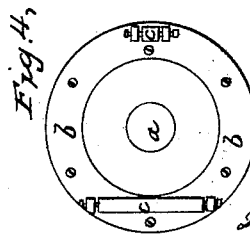


Fig. 4,

WITNESSES
J. H. ...
W. L. ...

INVENTOR
D. Kahnweiler

UNITED STATES PATENT OFFICE.

DAVID KAHNWEILER, OF WILMINGTON, NORTH CAROLINA.

VENTILATING ROCKING-CHAIR.

Specification of Letters Patent No. 18,696, dated November 24, 1857.

To all whom it may concern:

Be it known that I, DAVID KAHNWEILER, of Wilmington, in the county of New Hanover and State of North Carolina, have invented a new and useful Machine called Magic Ventilator, for the production and application of air under various circumstances in way and manner as hereinafter set forth; and I do hereby declare that the following is a full and exact description of the construction and operation of the same, reference being had to the annexed drawings, making a part of this specification, in which—

Figure I is a perspective view, Figs. II, III, IV and Fig. V details to illustrate the specification.

The principle of the invention consists in conveying atmospheric air through a body of ice or other cooling materials, coming in contact with some etheric substance or other choice perfume, impregnating the same with grateful odor rendering it salutary and refreshing. And to make it applicable in a practical small scale, I connect the machine with a rocking chair as in Fig. I. On both sides of the rocking chair is a piece *a*, *b*, connected; between the two pieces *a*, *b*, by means of two fastenings *d*, a pair of bellows *C*, are suspended. The fastenings *d* having a setscrew which keep the bellows properly adjusted. The bottom of the bellows is seen in Fig. IV. *a*, in the center is the valve, through which the air enters, *b*, *b*, is an iron ring attached to the bottom serving as weight to keep the bellows in position when the chair is in motion; the movement not being perpendicular, the lower part with the weight, will incline to move, therefore are connected rollers *c*, *c*, which lessen the friction, and allow a freer movement of the bellows.

On top of the bellows Fig. I is a weight *e* which forces the air out in a steady stream through the coupling *f*, to which is attached the tube *g*, *g*, and then connects with elbow-pipe *i*, *i*, which leads at *K* into the box *L* on the stand. Inside of this box *L* is a smaller box made of zinc of which Fig. II is a perspective and Fig. III an end view of the same. Figs. II and III consist of two chambers, an upper, letters *a*, *b*, and a lower, letters *c*, *d*, the upper chamber *a*, *b*, contains broken ice. The round top *e* closes air-tight the aperture which receives the ice.

f, is a hole with a muzzle shape cover, to

prevent the escape of the ice, a similar cover protecting hole *g*. The lower chamber contains two inclined plates narrower than the box as seen in Fig. III, the said plates having a raised edge so constructed, that any waste water dropping thereon necessarily traverses a long distance through a small space, at a very slow speed, and in a serpentine direction, as exhibited in Fig. V. The water as it passes through *f* drops on the inclined plane at *l*, takes a serpentine direction to *m*, passes through a hole at *n*, assuming again a serpentine direction to *o*, settling on the bottom of the zinc box, to be discharged at *p* through a faucet outside as in Fig. I.

At *g* Fig. II and Fig. III is a pipe attached, which connects outside at *m* Fig. I with a coupling, and this connects with a pliable tube *n*, this again is connected with a small tubical chamber *o*, containing a piece of sponge, cotton or other similar substance, suspended by a thread and saturated with any desirable essence or perfume closed in by a cork. This chamber *o*, Fig. I connects with a conic tube *p* through which the cool scented air is forced out.

On the arm of the chair is a piece *r* fastened by a screwbolt, which can be lowered or raised. On the top of *r* is a movable arm with universal joints, with springs *s* attached, serving to hold the pliable tube *n*, which is thereby placed entirely under the control of the individual occupying the chair, who can direct it to cool and refresh any part of his own, or any other person within convenient distance.

Within box *L* Fig. I is a smaller zinc box, surrounded by some material known as a non conductor of heat or cold. *s*, *s*, Fig. I is an inside cover or lid of box *L*, through which the round top of the zinc box just reaches; *t*, *t*, is the outside lid.

The operation of the machine is thus:— Suppose the upper chamber Fig. II filled with pieces of ice, the atmospheric air entering at *k*, by means of rocking, becomes cooled, by continued contact with the water, particularly as it passes over in its serpentine course to its escape at *f*, and thence comes immediately in contact with the ice, absorbing its latent cold, forces out at *g* through the tube *n* Fig. I, agreeably impregnated with perfume in passing *o*— thus may the operator enjoy at pleasure the luxury of a current of air at 60 degrees,

although surrounded by an atmosphere of 90 or 100°.

No impure air need be inhaled, as all sickly vapors are at once condensed in passing the ice.

5 Tube *g, g*, Fig. I can be connected direct with *o* without passing through the ice, or direct with tube *p*.

10 If desirable or necessary to use cool water instead of ice, it can be arranged to pass through the top *e* Fig. II undergoing a similar process.

15 The petitioner is fully satisfied that his invention will prove of inestimable benefit as well to the healthy as to the invalid—in the parlor, as on the sick bed—even on a large scale, operated by any of the known

powers, for the ventilation of saloons, theaters or other purposes.

I do not claim purifying or cooling air by 20 passing it in contact with ice nor any mode of impregnating air with perfumes, nor do I claim producing a current of air by the rocking of a chair for the purpose of fanning the person, but 25

I claim as my invention—

Combining a refrigerating apparatus with a rocking chair in the manner herein set forth.

DAVID KAHNWEILER.

Witnesses:

P. W. FANNING,
WILL. GEO. THOMAS.